

INTERACTIVE SCREEN

Model: GX-S400 - 75" Model: GX-S98 - 98"

Model: GX-S800 - 86" Model: GX-S02 - 102"



The final interpretation of all information contained in this file belongs to our company. The pictures are for reference only. All unauthorized and permitted copying is not recognized and should be prohibited.

This file contains all the parameter information of this series of standard models, does not represent all the parameters and data of our company's products, the actual parameter data shall be subject to the specific model signed with the sale.



USA TECHNOLOGY

2 .Description of interfaces



3.Touch screen system

(1)Overview

High-precision infrared touch frame, the resolution of interpolation algorithm can be up to 32767x32767
Plug and play support; This product can optionally support 40 point touch.

(2)Parameter

Touch screen parameters	Touch screen type	Infrared touch frame
	Glass specification	4mm tempered glass with anti-glare
	Resolution of touch	32767x32767
	Scanning frequency	100Hz
	Touch point	40 points
	Response time	6ms
	Accuracy of touch screen	More than 90% of the touch area is $\pm 2\text{mm}$
	Diameter of touch point	$\pm 2\text{mm}$
	Touch control mode	$\geq 2\text{mm}$
	Theoretical clicks times	Unlimited times
Interface type	USB 2.0	
Operating voltage	DC+5V $\pm 6\%$	
Power Consumption	$\geq 2\text{W}$	

4. PRODUCT SPECIFICATION

Screen	Model	Model: GX-Series"
	Size	65-75- 86 - 98 -102 inche
	Back light	D-LED
	Resolution	3840*2160
	Luminance	350cd/m2
	Contrast Ratio	5000:1
	Response time	6ms
	Refresh	60 Hz
	Visual angle	178°(H) / 178°(V)
	Visual area	1649*927mm
	Chromatic number	1.07B(10bit)
	Life time	50,000 hrs
	System	Chipset
System version		Android 12.0
CPU + GPU		A55*4 + MaliG52
RAM		8 GB DDR4
Internal storage		128 GB
OPS	Language	English - Arabic (multi-language optional)
	Chipset	Intel core i5 / i7 / Qc 2.9 Ghz - 2500 Mhz
	System	Windows 10 -11 pro 64 bit
	RAM	4GB/8GB/16GB
Video	SSD	128GB/256 / 512 SSD GB
	TV	Optional
Power supply	Video decoding	MPEG-2/4, AVS, H.264, H.265,TS, Realmedia...
	Voltage	100 V — 240 V/AC, 50/60 Hz
Power supply	Max power	300W
	OPS power	DC 19V/5A
	Standby power consumption	<0.5W
	Power switch	*1
Audio	Power	10W/20W (80) * 2
Camera	Build-in camera (4k, 3840*2160)	48MP*1
Microphone	Build-in Microphone array	M ic*8
Input/output interface	VGA IN	*1(Optional)
	AV IN	*1
	PC-AUDIO IN	*1
	RJ45 Ethernet	*1
	Earphone OUT 3.5mm	*1
	HDMI IN	*3
	USB	*4
	USB-TYPE C	*1
	TF-CARD	*1(Optional)
	COAX /SPDIF	*1(Optional)
	Touch in	*1
	Touch out	*1
	WIFI	2.4G*1, 5G*1
	Bluetooth	*1
	Power(AC)input	*1
	Operating temperature	-10°C — 50°C
Environmental factors	Storage temperature	-20°C — 60°C
	Operating humidity	20% — 80%
	Storage humidity	10% — 90%
	N.W	56KG
	G.W	62KG
	Product size	1710x90x1038MM
Structure appearance	Packaging size	1850x205x1150MM
	Wall-mounted hole site	4-M8 screw hole 500mm*400mm
	Canning material	Aluminum Front frame, PC back cover
	Shell color	Black Front frame, Black back cover
Accessories	Touch pen	*1
	Remote control	*1
	Wifi antenna	*4
	Wall mounting bracket (including screws)	*1 (set)
	Smart Pen	*1 (Optional)
Wireless projector	*1 (Optional)	

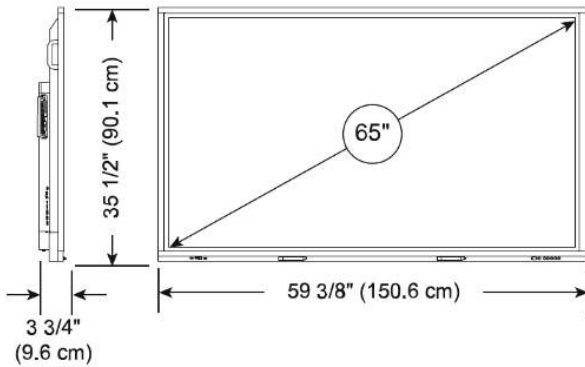
Installation, dimensions, and weights

Notes

- All dimensions $\pm 1/8"$ (0.3 cm). All weights ± 2 lb. (0.9 kg).
- Product ships upright.

SBID-GX165

Dimensions



Weight

92 lb. (42 kg)

Shipping dimensions (including pallet)

66 3/8" \times 45 5/8" \times 9 1/4"
(168.5 cm \times 115.9 cm \times 23.5 cm)

Shipping weight

139 lb. (63 kg)

VESA mount

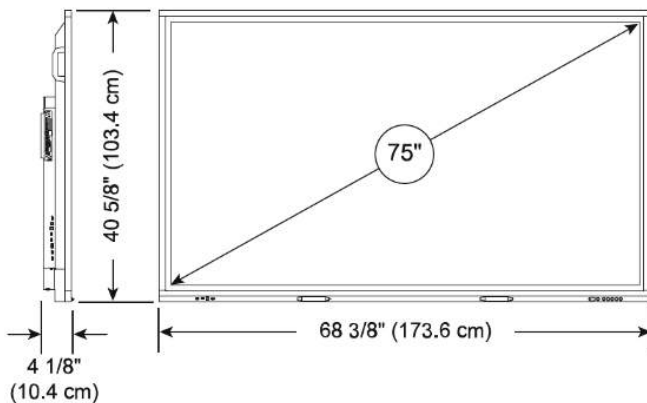
M8, 600 \times 400 mm

Handles

2

SBID-GX175

Dimensions



Weight

127 lb. (58 kg)

Shipping dimensions (including pallet)

75 1/4" \times 50 1/8" \times 10 1/4"
(191 cm \times 127.4 cm \times 26 cm)

Shipping weight

181 lb. (82 kg)

VESA mount

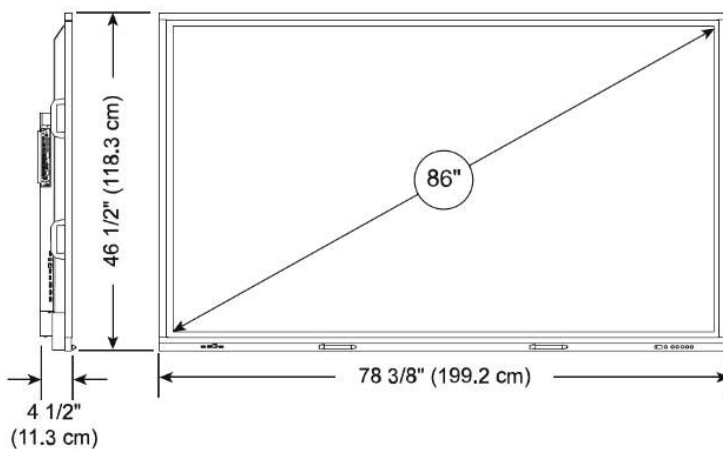
M8, 600 \times 400 mm

Handles

2

SBID-GX186

Dimensions



Weight

169 lb. (77 kg)

Shipping dimensions (including pallet)

85 1/4" \times 57 1/4" \times 11 5/8"
(216.5 cm \times 145.4 cm \times 29.5 cm)

Shipping weight

236 lb. (107 kg)

VESA mount

M8, 700 \times 400 mm

Handles

4

smarttech.com/kb/171721